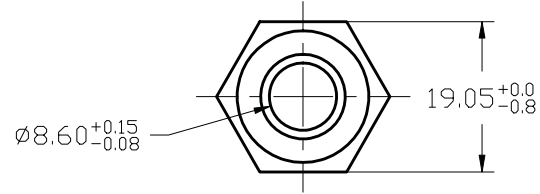
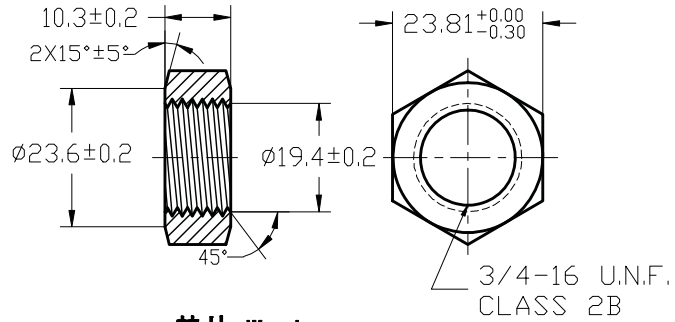
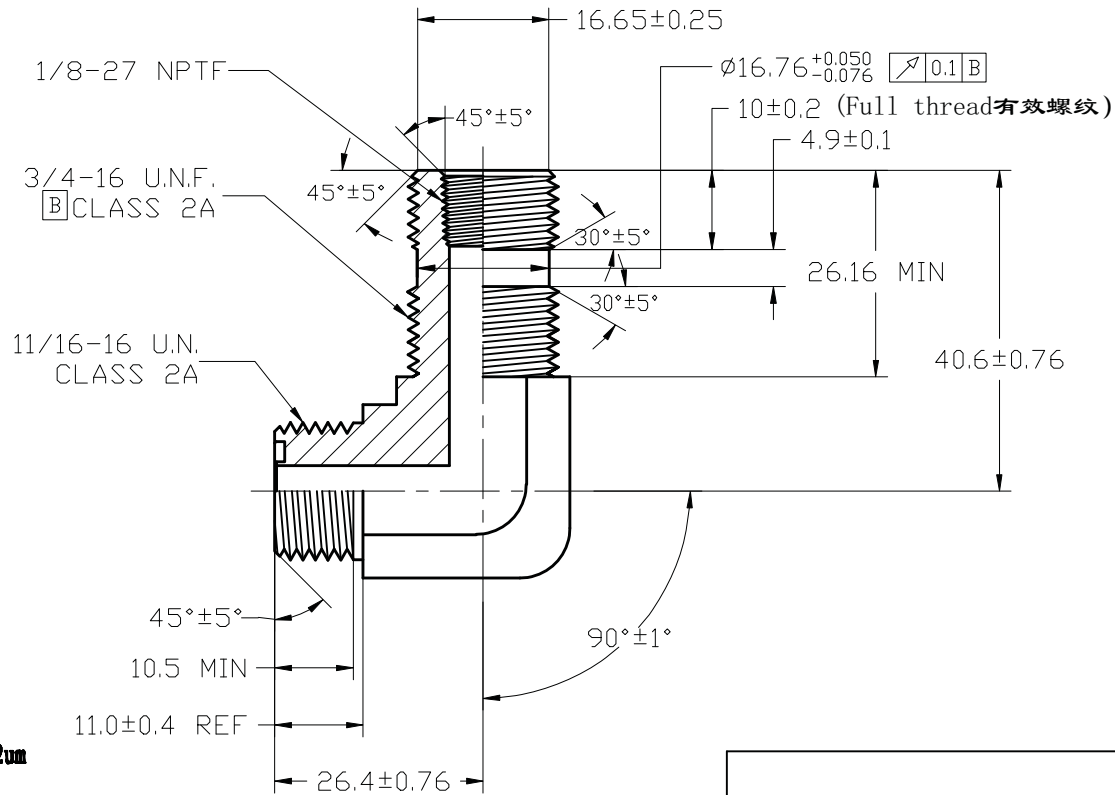
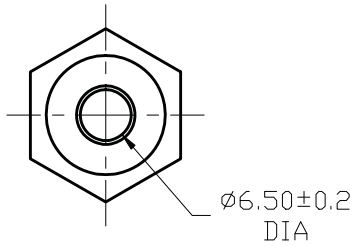
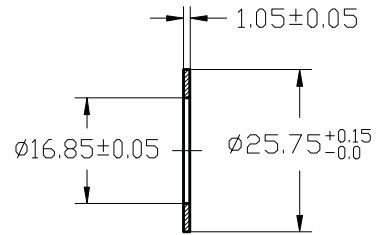


REV 更改号	DATE 日期	REVISION DETAILS 更改内容	APPD 审核并批准

**螺母 Nut**



**垫片 Washer**



UNLESS SPECIFIED  
ALL DIMENSIONS IN mm  
MACHINED SURFACES Ra=3.2um  
ANGLE TOLERANCES ±1°  
Other tolerance except angles,  
in accordance with  
GB/T1804-2000(ISO2768-1)-m  
and GB/T1184-1996(ISO2768-2)-m

其它事项,  
图示尺寸单位为mm  
未注机加工表面粗糙度Ra=3.2um  
角度公差±1°  
其它未注公差(除角度外)均按:  
GB/T1804-2000(ISO2768-1)-m和  
GB/T1184-1996(ISO2768-2)-m

PART No 零件名	41034-6fs-8nwo-2nptf		
SCALE:	APPD: 批准 Zhangjian	DRN: 制图 TangHeLiing 2015.03.07	
NTS	DATE: 日期	CHK: 审核 LIJunBiao 2015.03.07	

MATERIAL	Chinese steel 45
FINISH	Remove all sharp edges,burrs,slivers and swarf, break all edges 0.127-0.254mm. 去除所有毛刺,铁屑等残留物,锐边倒钝0.127-0.254mm. ZING PLATED WITH TRIVALENT CHROMATE AND NO RED CORROSION IN 96 HOURS SALT SPRAY TEST. 镀锌,三价铬钝化,银白色,96小时盐雾试验无红斑.